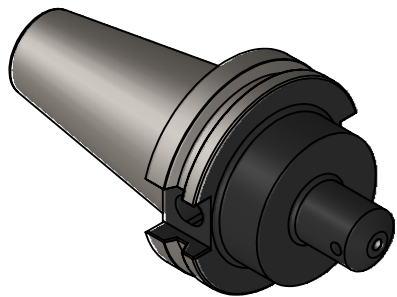
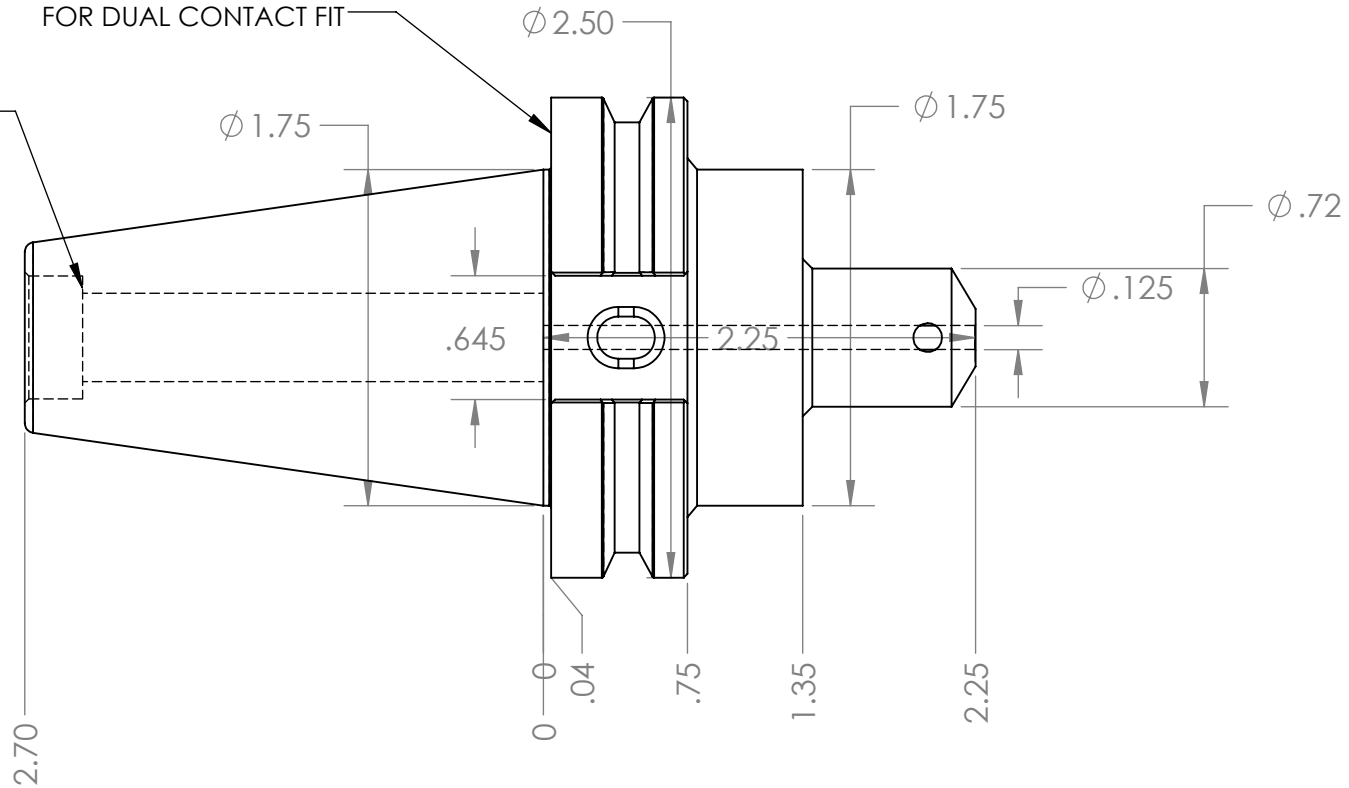


5/8-11 THREAD x 1-1/8 DEEP
Ø .642 C'BORE DIA .300 DEEP

PRECISION GROUND
FOR DUAL CONTACT FIT



NOTES:
HOLDER USES 10-32 SET SCREW, PART#SS020
WORKS ON ALL CAT40 MACHINES WITH DUAL CONTACT SPINDLES
COMPATIBLE WITH BIG-PLUS® SPINDLES
ACCEPTS .125 SHANK TOOLING
FOR MORE PRODUCT DETAILS PLEASE GO TO MARITOO.COM
AND SEARCH ITEM # LISTED ON THIS PRINT

MARITOO

WWW.MARITOO.COM

ITEM# **CAT40 EM .125-2.25D**

Made in USA