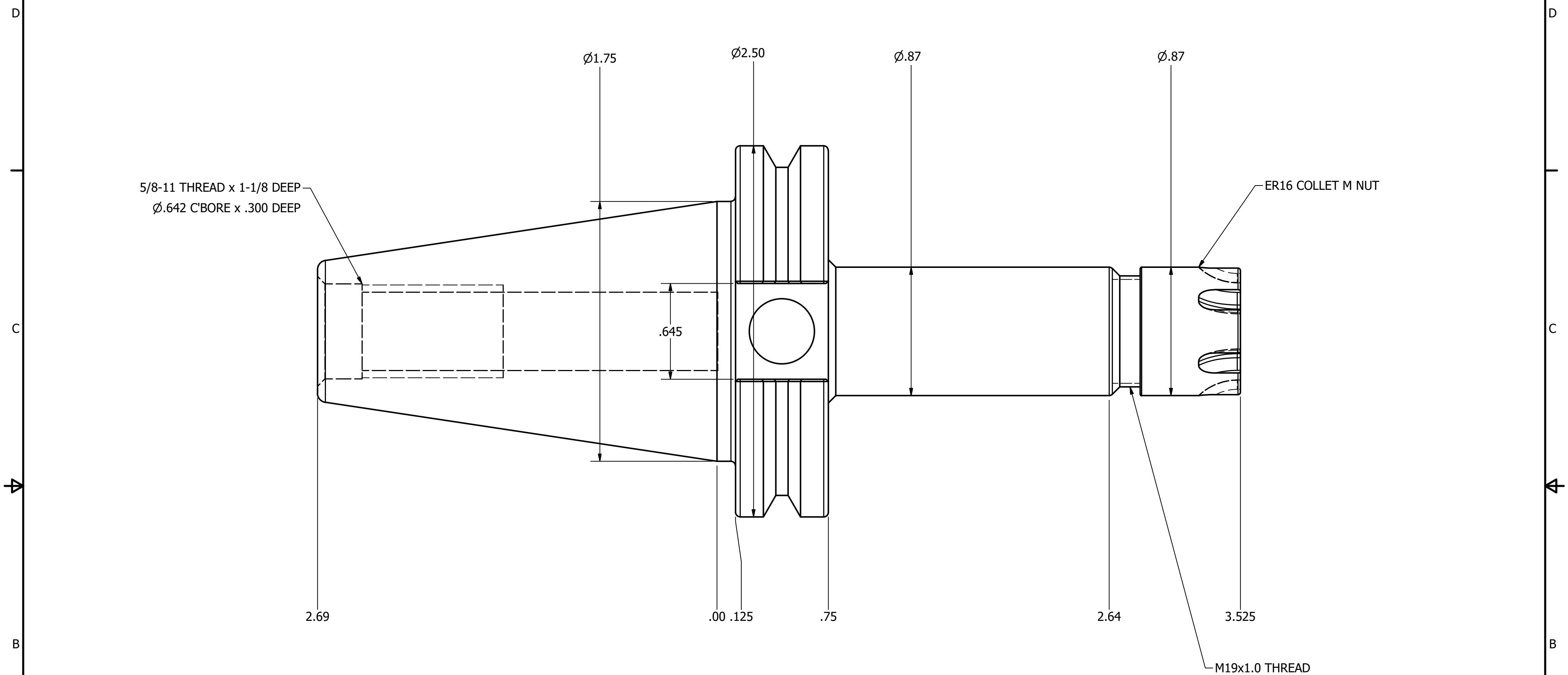


4 3 2 1



NOTES:  
 TAKES ALL ER16 COLLETS FROM .039"-.4375"  
 USES WRENCH PART #ER16M COLLET WRENCH (NOT INCLUDED)  
 FOR MORE PRODUCT DETAILS PLEASE GO TO MARITOO.COM  
 AND SEARCH ITEM # LISTED ON THIS PRINT

<b>MARITOOOL</b>	
www.maritool.com	
ITEM#	<b>CAT40-ER16-3.5M</b>
Made in USA	

4 3 2 1