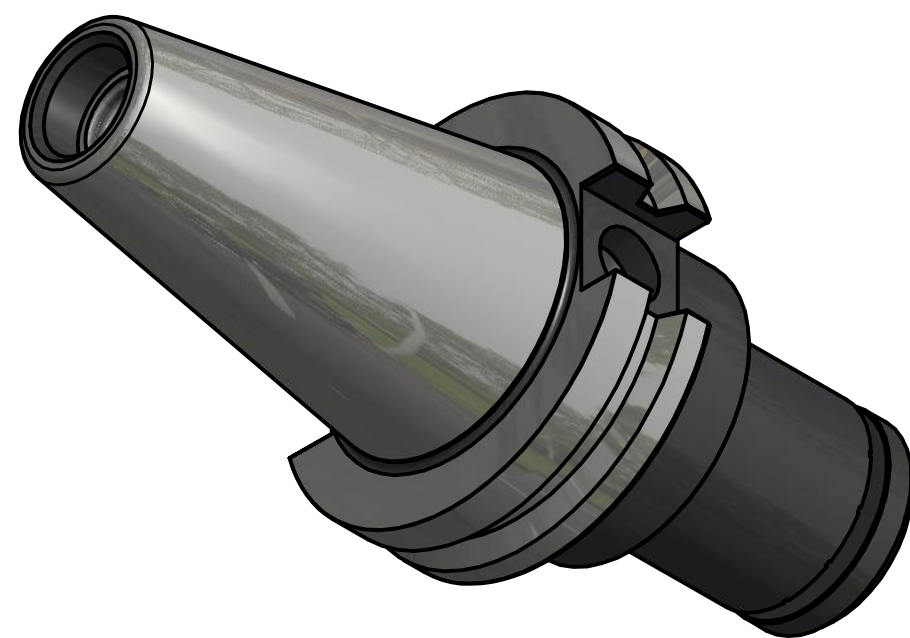
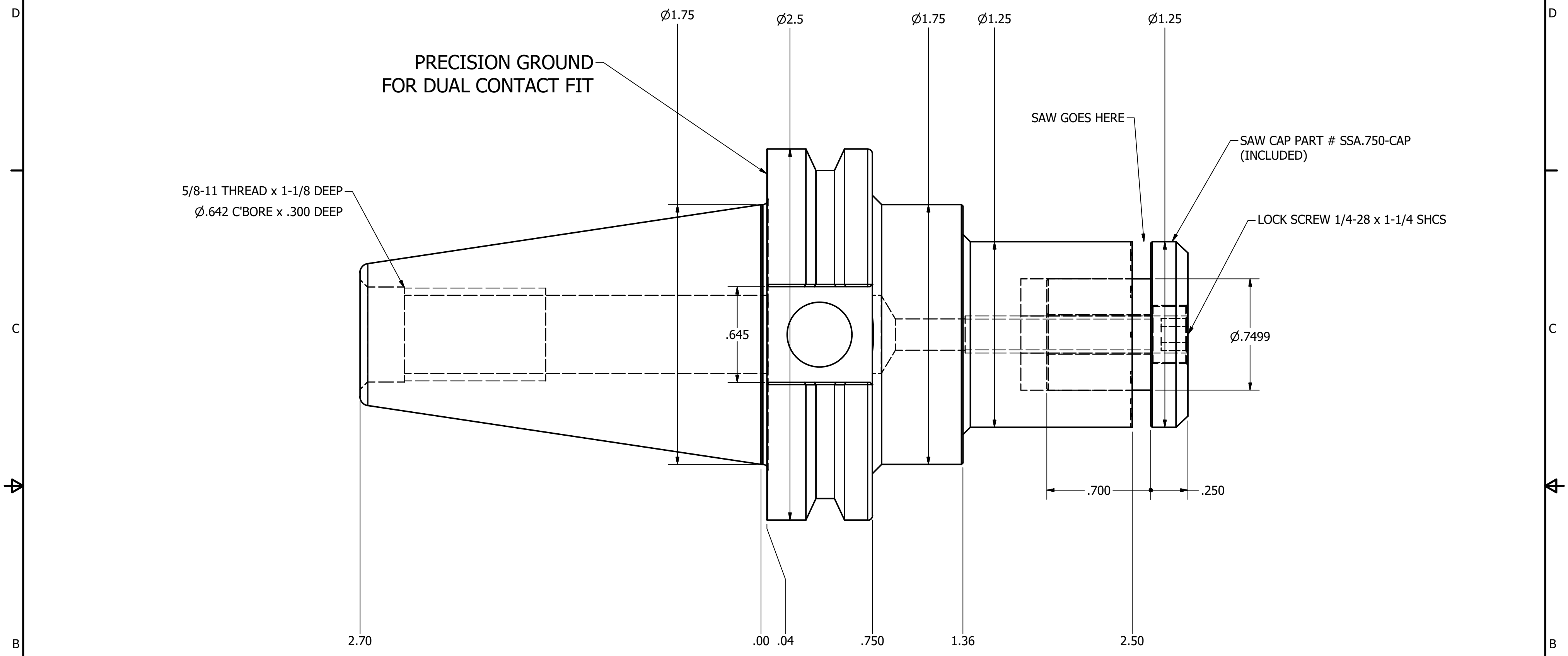


4 3 2 1



NOTES:
 WORKS ON ALL CAT40 MACHINES WITH DUAL CONTACT SPINDLES
 COMPATIBLE WITH BIG-PLUS® SPINDLES
 HOLDER USES LOCK SCREW 1/4-28 x 1-1/4 SHCS (INCLUDED)
 SAW CAP IS 1/4 THICK AND .7499 DIAMETER BOSS IS .700 LONG
 FOR MORE PRODUCT DETAILS PLEASE GO TO MARITOO.COM
 AND SEARCH ITEM # LISTED ON THIS PRINT

MARITOO	
www.maritool.com	
ITEM#	CAT40-SSA.750-2.5D
Made in USA	

4 3 2 1