

1 2 3 4 5 6

A

B

C

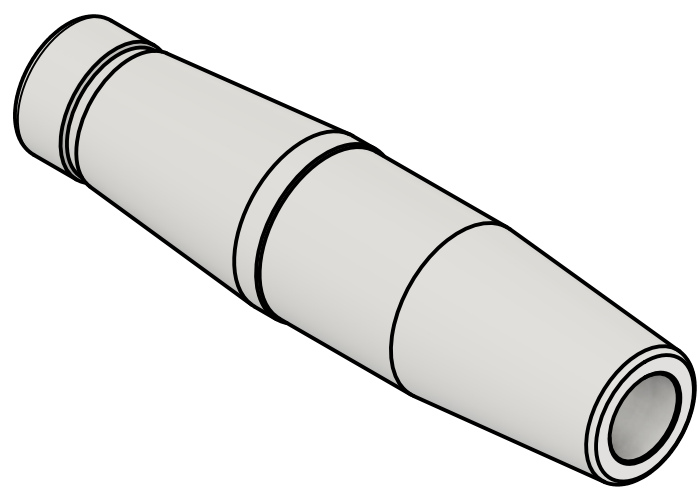
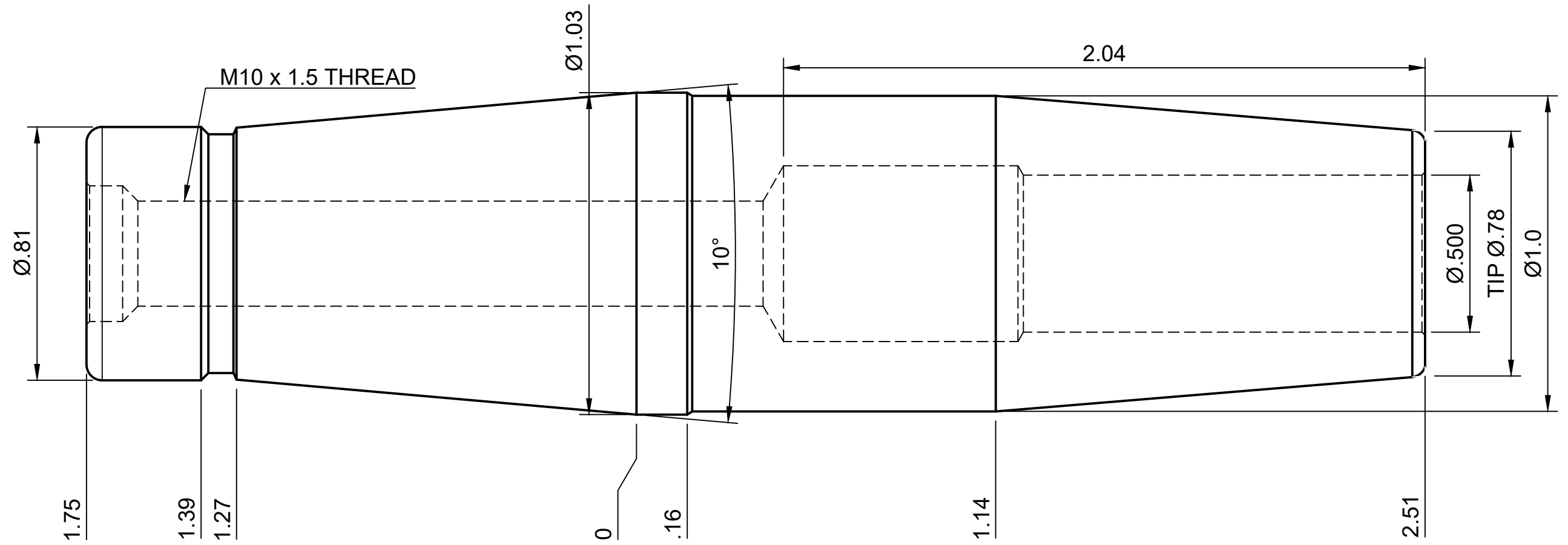
D

A

B

C

D



NOTES:  
 WORKS ON ALL MCS12 MASTER TOOL HOLDERS  
 ALSO WORKS WITH MST CS12 SYSTEMS AND TECHNIKS SFS12  
 ACCEPTS 0.500 SHANK TOOLING  
 FOR MORE PRODUCT DETAILS PLEASE GO TO MARITOO.COM  
 AND SEARCH ITEM # LISTED ON THIS PRINT

<b>MARITOO</b>	
<a href="http://www.maritool.com">www.maritool.com</a>	
ITEM#	<b>MCS12-SF.500-2.5</b>
Drawn By FM	

1 2 3 4 5 6