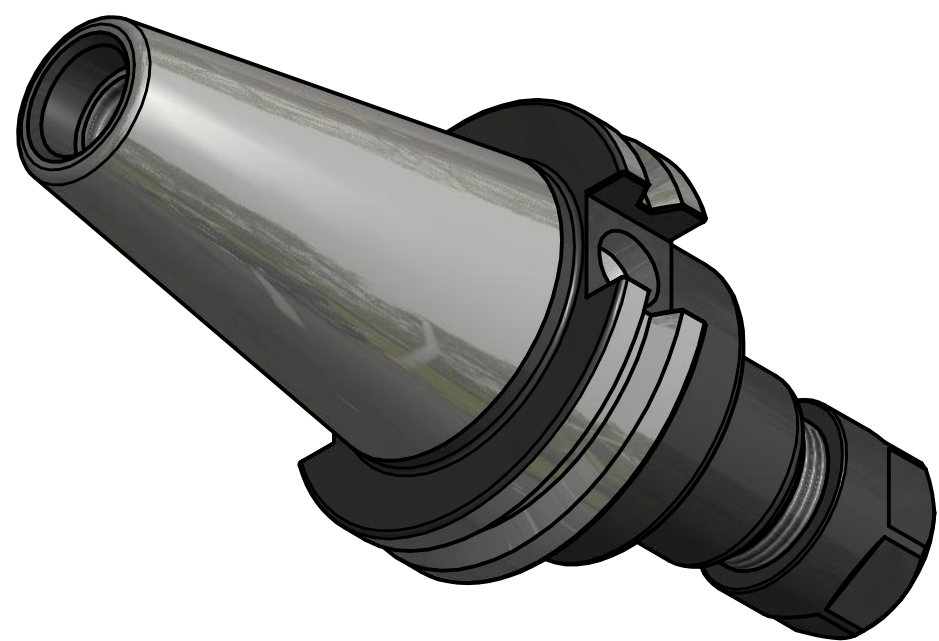
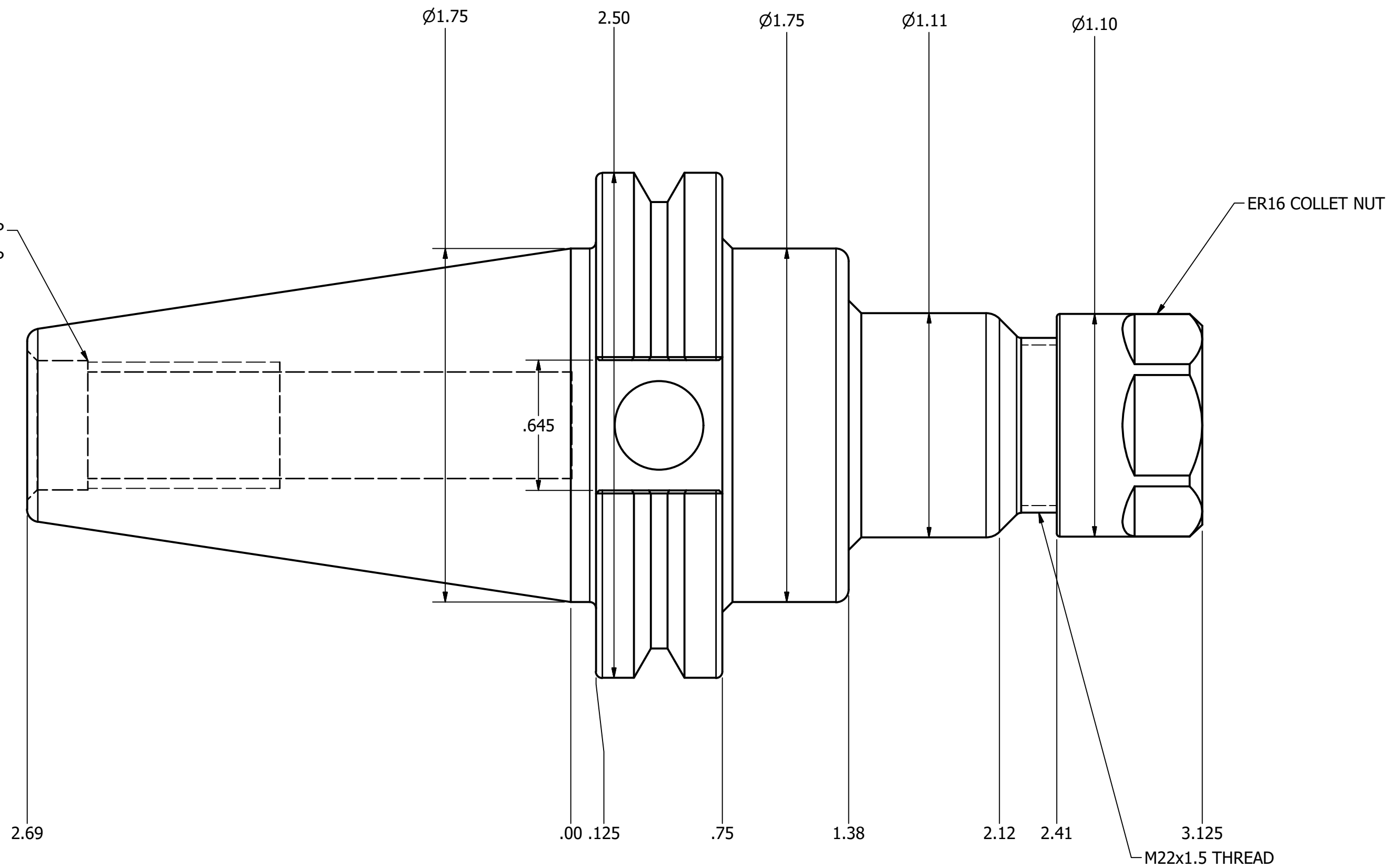


5/8-11 THREAD x 1-1/8 DEEP  
 Ø.642 C'BORE x .300 DEEP



NOTES:  
 TAKES ALL ER16 COLLETS FROM .039"-.4375"  
 USES WRENCH PART #ER16-WRENCH (NOT INCLUDED)  
 FOR MORE PRODUCT DETAILS PLEASE GO TO MARITOO.COM  
 AND SEARCH ITEM # LISTED ON THIS PRINT

**MARITOOOL**

www.maritool.com

ITEM# **CAT40-ER16-3.0**

Made in USA