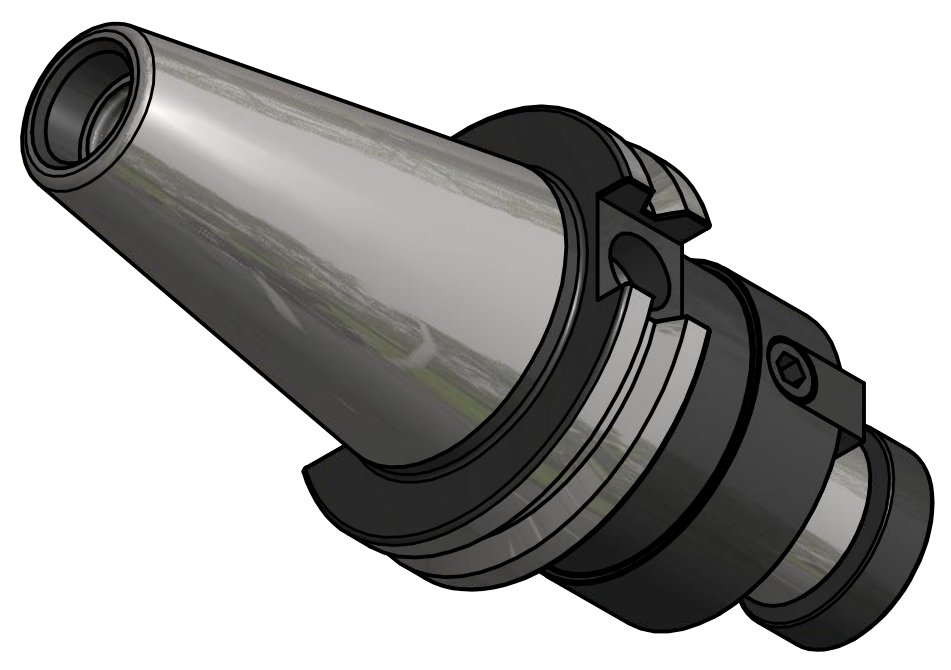
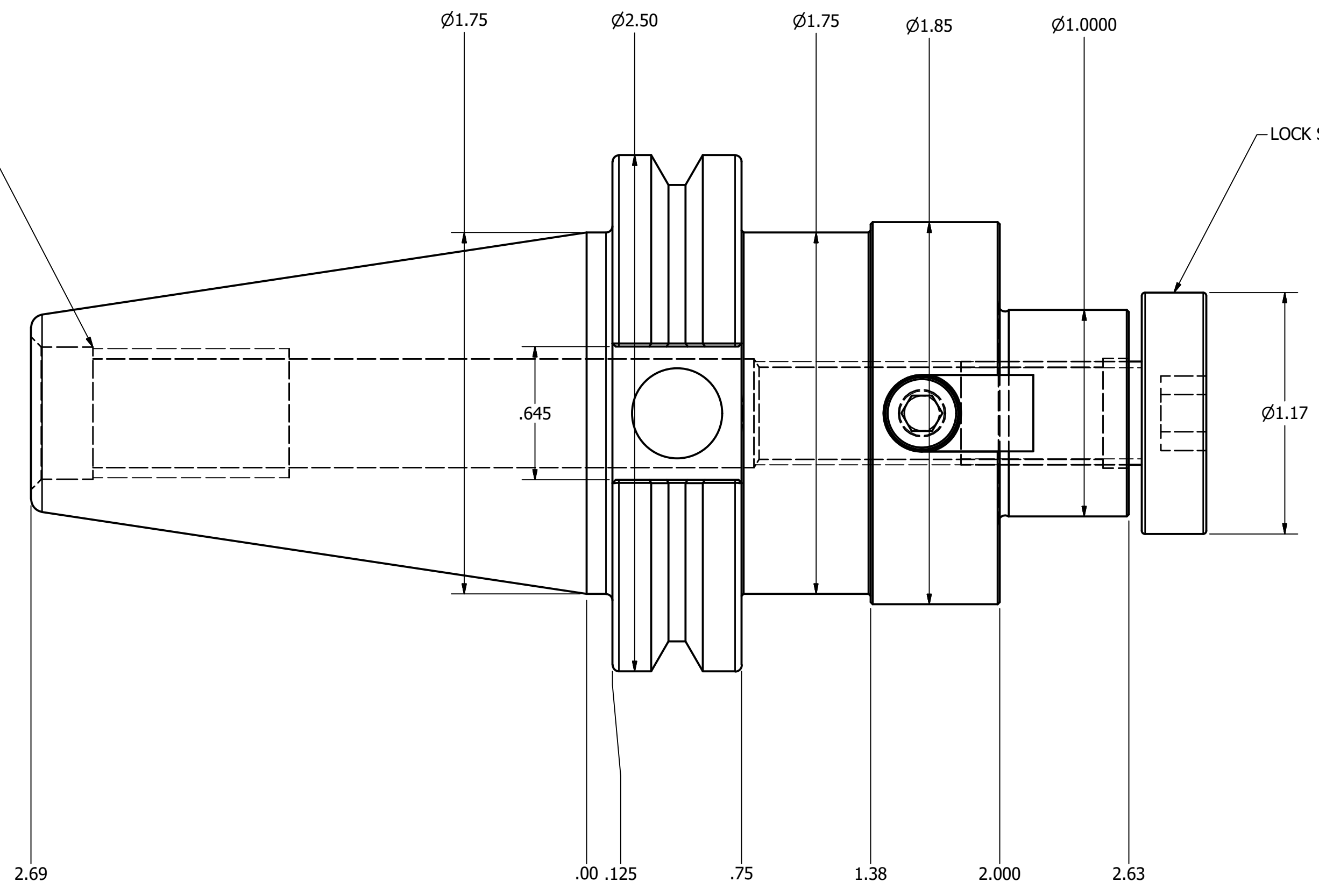


5/8-11 THREAD x 1-1/8 DEEP  
 Ø.642 C'BORE x .300 DEEP

LOCK SCREW 1/2-20 LARGE HEAD



NOTES:  
 HOLDER USES LOCK SCREW 1/2-20 LARGE HEAD  
 AND STANDARD 1/2-20 x 1.0 SHCS (INCLUDED)  
 FOR MORE PRODUCT DETAILS PLEASE GO TO MARITOO.COM  
 AND SEARCH ITEM # LISTED ON THIS PRINT

**MARITOO**

www.maritool.com

ITEM# **CAT40-FMA1.0-2.0M**

Made in USA