

1

2

3

4

5

6

A

A

B

B

C

C

D

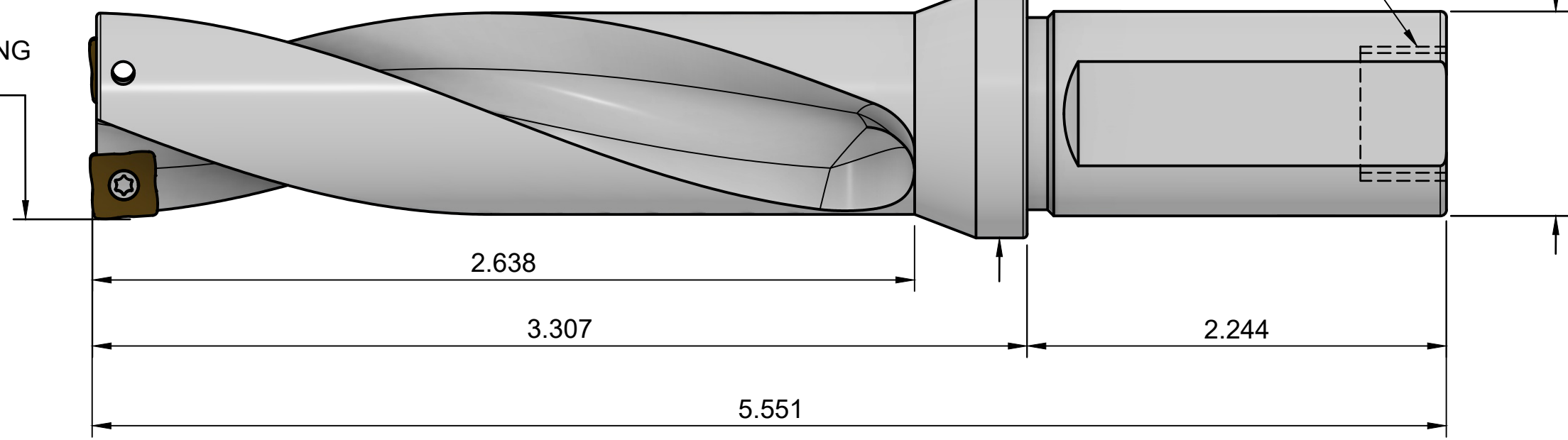
D

M22 x 2.0 REAR THREAD FOR  
OPTIONAL COOLANT PLUG (NOT INCLUDED)

Ø1.250 SHANK

Ø1.535

1.250 CUTTING  
DIAMETER



NOTES:  
 DRILL BODY TAKES SOMT09.... INSERTS (INSERTS NOT INCLUDED)  
 AFTER DRILLING HOLE, OUTER INSERT CAN BE OFFSET AND USED AS A  
 BORING BAR  
 FOR SPEEDS AND FEEDS PLEASE VISIT PRODUCT DETAILS PAGE  
 AND SEARCH ITEM # LISTED ON THIS PRINT

**MARITool**

www.maritool.com

ITEM# **FBD-1250-2D-1U**

Drawn By FM

1

2

3

4

5

6