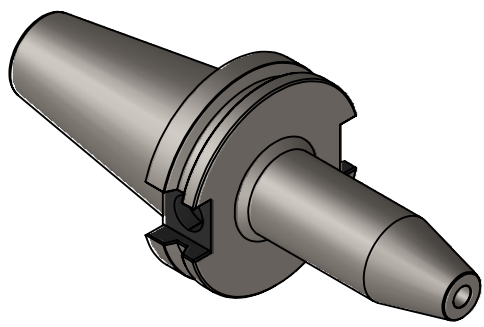
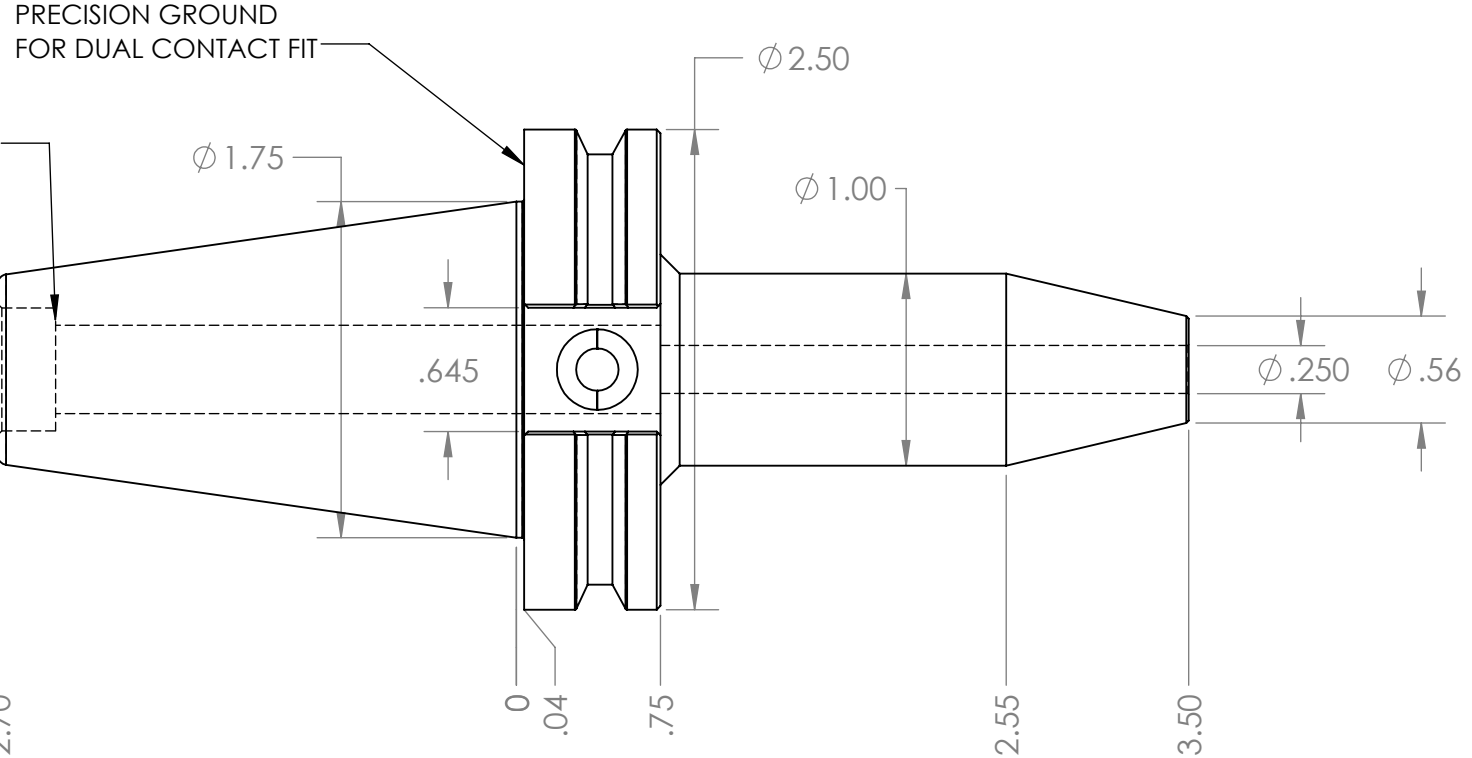


5/8-11 THREAD x 1-1/8 DEEP
 Ø .642 C'BORE DIA .300 DEEP



NOTES:
 WORKS ON ALL CAT40 MACHINES WITH DUAL CONTACT SPINDLES
 COMPATIBLE WITH BIG-PLUS® SPINDLES
 FOR MORE PRODUCT DETAILS PLEASE GO TO MARITOO.COM
 AND SEARCH ITEM # LISTED ON THIS PRINT

MARITOO

WWW.MARITOO.COM

ITEM # **CAT40 SF .250-3.5D**

Made in USA