

1

2

3

4

5

6

A

A

B

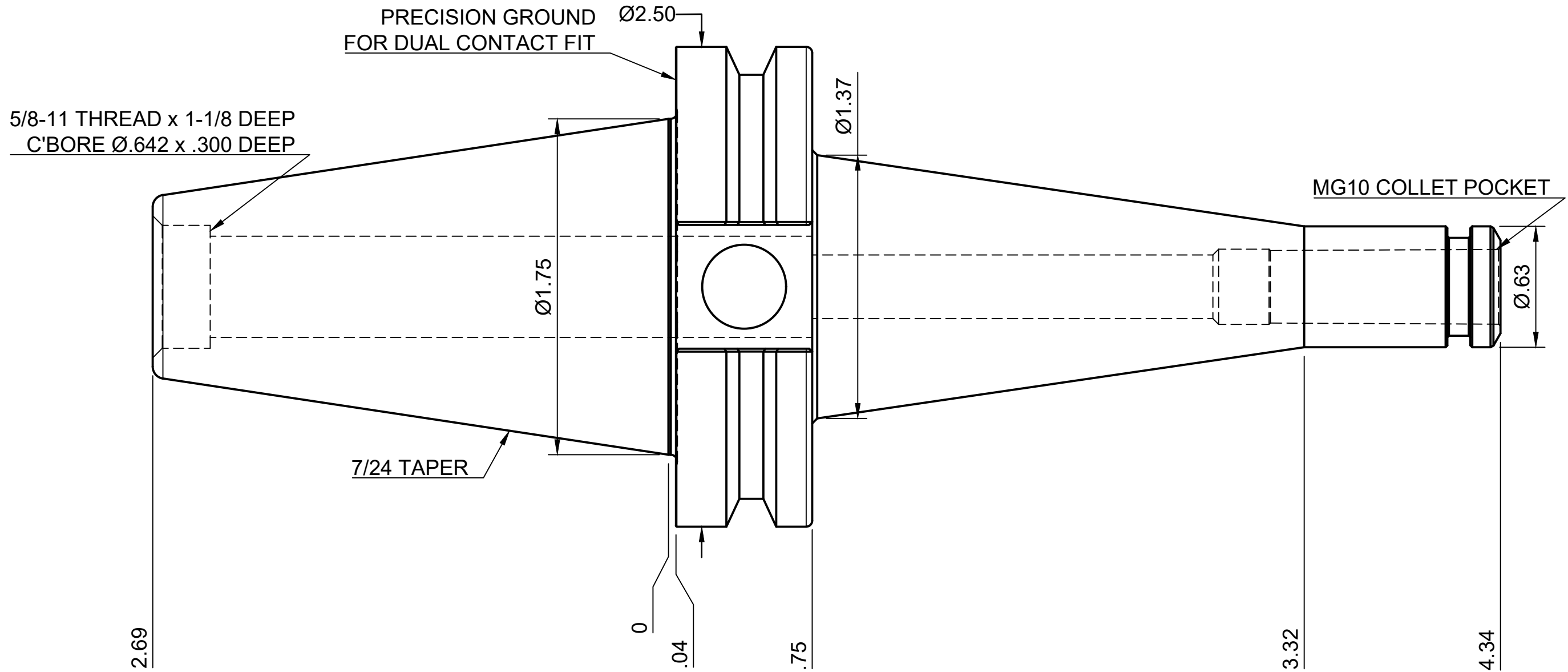
B

C

C

D

D



NOTES:

WORKS ON ALL CAT40 MACHINES WITH DUAL CONTACT SPINDLES

COMPATIBLE WITH BIG-PLUS® SPINDLES

THIS HOLDER ACCEPTS ALL MEGA GRIP 10mm COLLETS

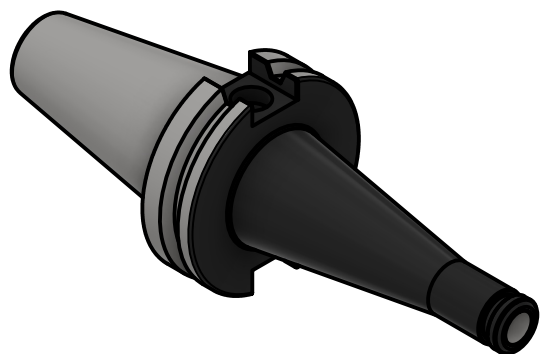
ALSO COMPATIBLE WITH PG10 COLLETS

THESE HOLDERS ARE COMPATIBLE WITH THE REGO-FIX *POWRGRIP®

COLLETS, HYDRAULIC PRESS AND OTHER RELATED ACCESSORIES

FOR MORE PRODUCT DETAILS PLEASE GO TO MARITool.COM

AND SEARCH ITEM # LISTED ON THIS PRINT



MARITool

www.maritool.com

ITEM# **CAT40-MG10-4.5DT**

Made In USA / Drawn By FM

1

2

3

4

5

6