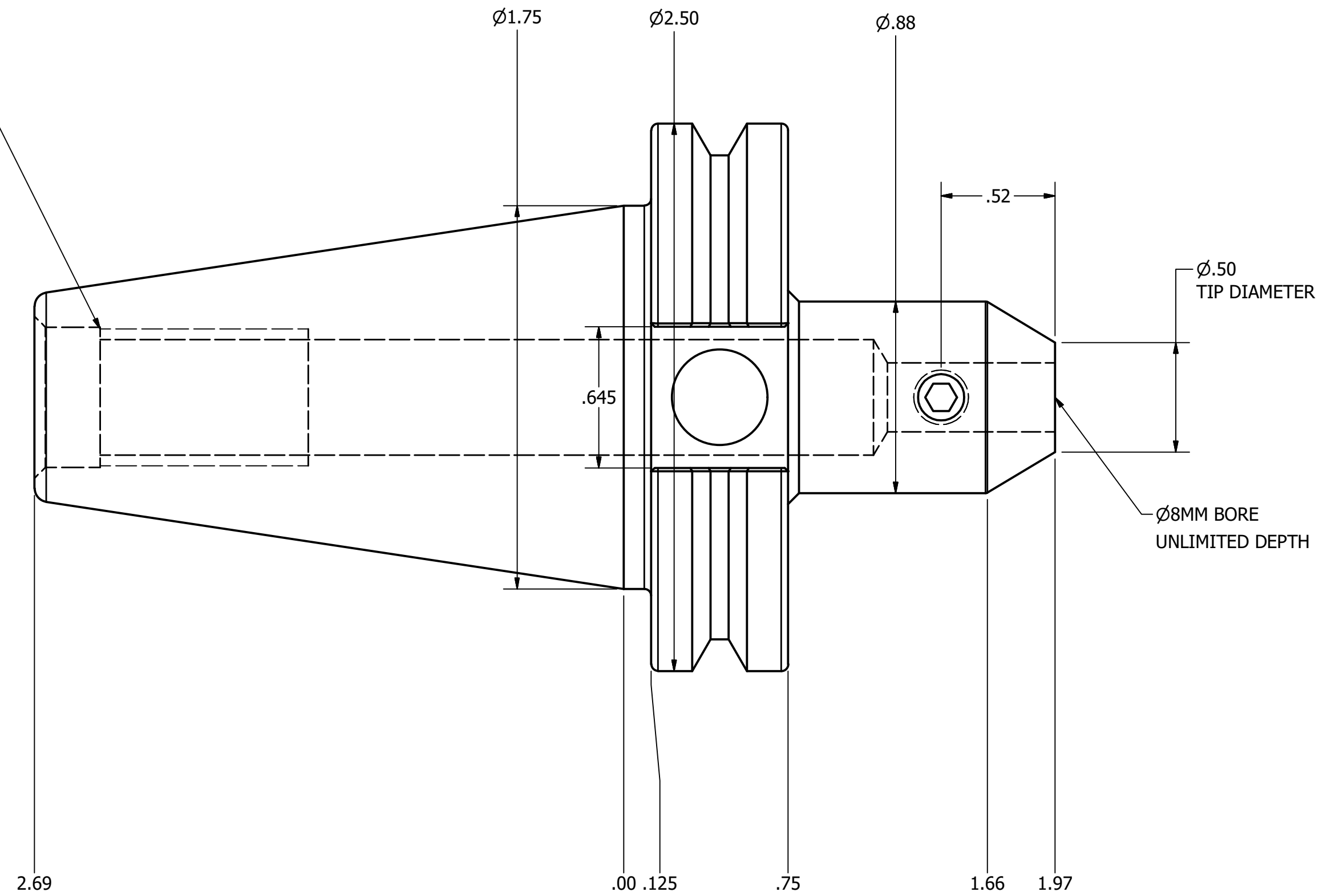


5/8-11 THREAD x 1-1/8 DEEP  
 Ø.642 C'BORE x .300 DEEP



NOTES:  
 HOLDER USES 1/4-28 SET SCREW, PART #SS100  
 FOR MORE PRODUCT DETAILS PLEASE GO TO MARITOO.COM  
 AND SEARCH ITEM # LISTED ON THIS PRINT

**MARITOOOL**

www.maritool.com

ITEM# **CAT40-EM08-50**

Made in USA