

1

2

3

4

5

6

A

A

B

B

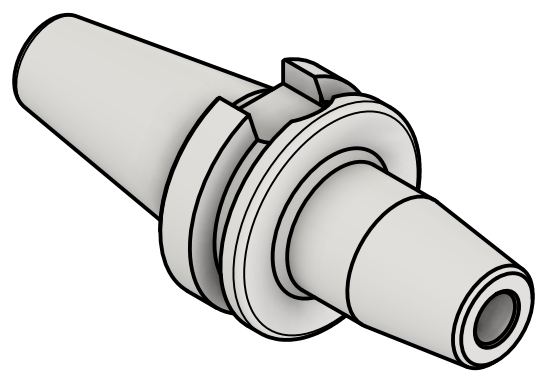
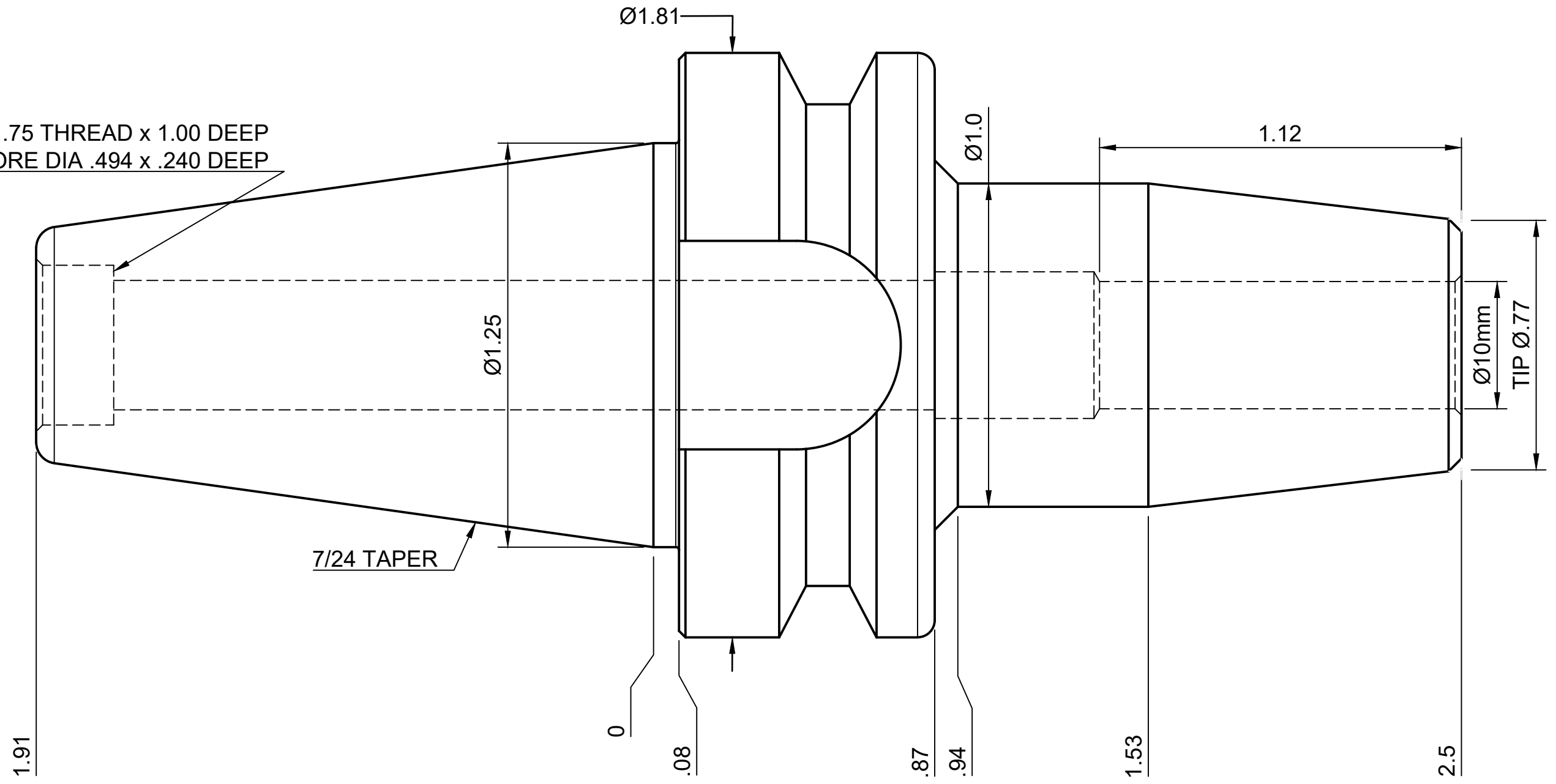
C

C

D

D

M12x1.75 THREAD x 1.00 DEEP
C'BORE DIA .494 x .240 DEEP



NOTES:
ACCEPTS 10mm SHANK TOOLING
FOR MORE PRODUCT DETAILS PLEASE GO TO MARITOO.COM
AND SEARCH ITEM # LISTED ON THIS PRINT

MARITOO

www.maritool.com

ITEM# **BT30-SF10-2.5**

Made In USA / Drawn By FM

1

2

3

4

5

6