

M12x1.75 THREAD x 1.00 DEEP  
C'BORE DIA .492 x .236 DEEP

PRECISION GROUND  
FOR DUAL CONTACT FIT

Ø 1.25

Ø 1.81

Ø 1.66

ER25 COLLET NUT

0.65

1.91

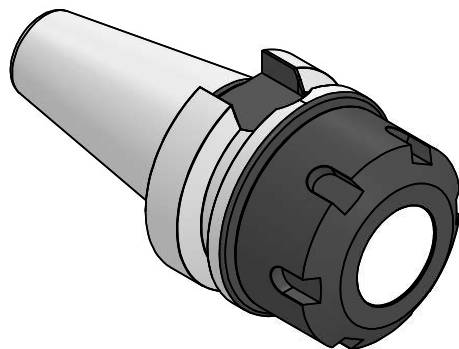
0

0.04

0.89

0.94

1.81



NOTES:  
WORKS ON ALL BT30 MACHINES WITH DUAL CONTACT SPINDLES  
COMPATIBLE WITH BIG-PLUS® SPINDLES  
TAKES ALL ER25 COLLETS FROM .024"-.6875"  
USES WRENCH PART #ER25-WRENCH (NOT INCLUDED)  
FOR MORE PRODUCT DETAILS PLEASE GO TO MARITOO.COM  
AND SEARCH ITEM # LISTED ON THIS PRINT

**MARITOO**

WWW.MARITOO.COM

ITEM# **BT30 ER25-50-D**

Made in USA