

5/8-11 THREAD x 1-1/8 DEEP
 Ø.642 C'BORE x .300 DEEP

ER16 COLLET M NUT

M19x1.0 THREAD

2.69

.00 .125

.75

1.38

4.14

5.025

.645

Ø1.75

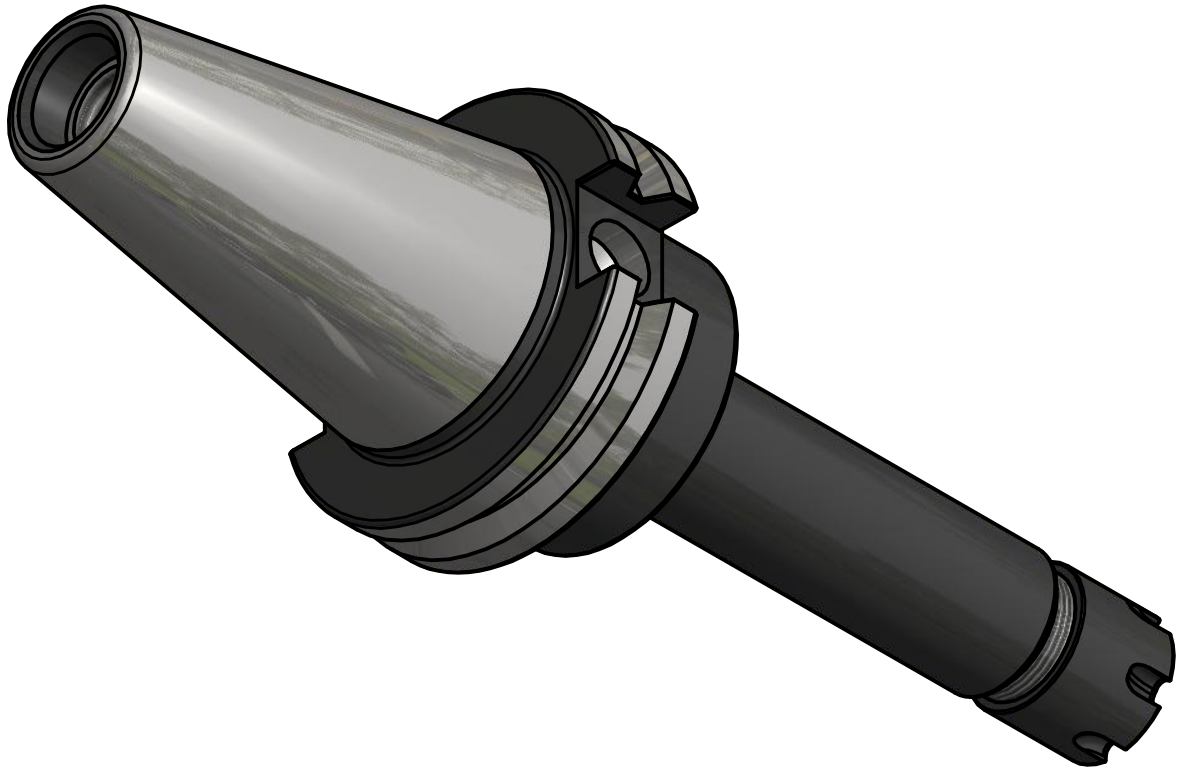
Ø2.50

Ø1.75

Ø.87

Ø.87

NOTES:
 TAKES ALL ER16 COLLETS FROM .039"-.4375"
 USES WRENCH PART #ER16M COLLET WRENCH (NOT INCLUDED)
 FOR MORE PRODUCT DETAILS PLEASE GO TO MARITOO.COM
 AND SEARCH ITEM # LISTED ON THIS PRINT



MARITOO	
www.maritool.com	
ITEM#	CAT40-ER16-5.0M
Made in USA	